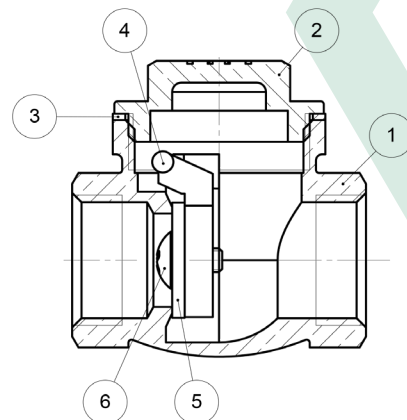
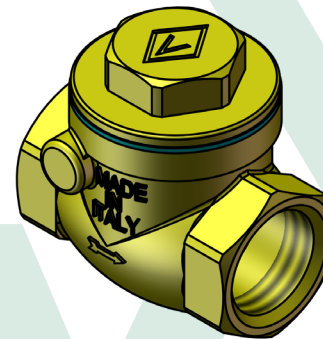
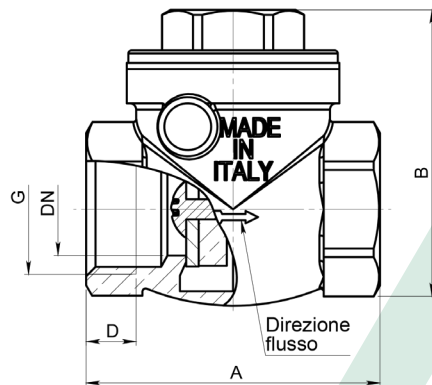


# Scheda Tecnica *Technical Sheet*



ART.0181	
<i>Hotpressed brass swing check valve, rubber NBR seat, Mis. from 1/2" to 4"</i>	
SPECIFICATION	
Series	0181
Thread ends	Female-Female: ISO 228/1
Orifice	from Ø15 to Ø90 mm
Actuator	-
Operator	-
APPLICATION	
Assembly in rigid pipe system	
Nominal pressure (PN) in bar: 8-12	
KV: flowrate coefficient m <sup>3</sup> /h	
Direction of flow: only one direction	
Temperature range: 0 °C / +90°C	
Use: Water	

N°	Descrizione	Description	Materials	Q.ty
1	Corpo	Body	CW617N	1
2	Tappo	Cap	CW617N	1
3	Guarnizione	Seal	FIBER	1
4	Otturatore	Stopper	CW617N	1
5	Guarnizione	Seal	NBR	1
6	Vite	Screw	CW614N	1

Part.4 solo per le misure 2"1/2-3"-4"  
 only for sizes 2"1/2-3"-4"

DN	G	A	B	D	PN
15	1/2"	47	46	8	12
20	3/4"	53	51	8	12
25	1"	63	61	10	12
33	1"1/4	74	73	10	10
37	1"1/2	87	85	10	10
47	2"	97	94	11	10
55	2"1/2	118	107	16	8
70	3"	135	130	16	8
90	4"	164	159	20	8

N° Disegno / Drawing Nr.  
 0181

Misura / Size  
 1/2"-4"

**BUGATTI®**  
 VALVOSANITARIA

UFFICIO  
 TECNICO