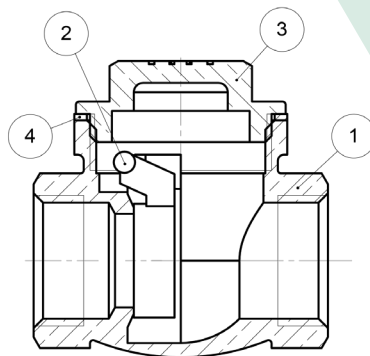
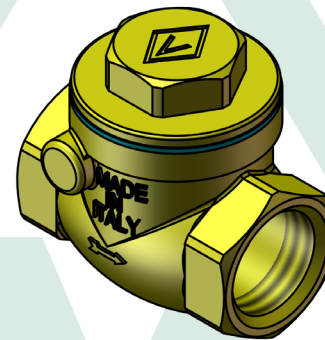
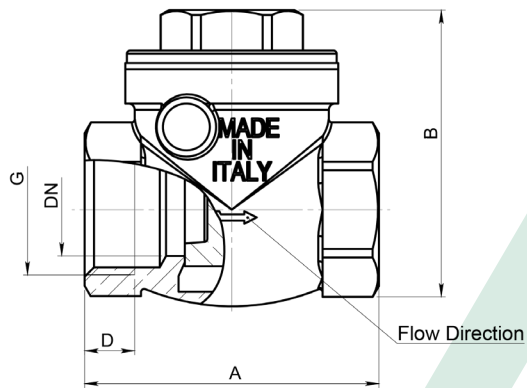


Scheda Tecnica *Technical Sheet*



| | |
|--|--------------------------|
| ART.0180 | |
| <i>Hotpressed brass swing check valve, metal sheet, Mis. from 1/2" to 4"</i> | |
| SPECIFICATION | |
| Series | 0180 |
| Thread ends | Female-Female: ISO 228/1 |
| Orifice | from Ø15 to Ø90 mm |
| Actuator | - |
| Operator | - |
| APPLICATION | |
| Assembly in rigid pipe system | |
| Nominal pressure (PN) in bar:6-10 | |
| KV: flowrate coefficient m ³ /h | |
| Direction of flow:only one direction | |
| Temperature range: 0 °C / +90°C | |
| Use:Water | |

| N° | Descrizione | Description | Materials | Q.ty |
|----|-------------|-------------|-----------|------|
| 1 | Corpo | Body | CW617N | 1 |
| 2 | Otturatore | Stopper | CW617N | 1 |
| 3 | Tappo | Cap | CW617N | 1 |
| 4 | Guarnizione | Seal | FIBER | 1 |

Part.4 solo per le misure 2"1/2-3"-4"
only for sizes 2"1/2-3"-4"

| DN | G | A | B | D | PN |
|----|-------|-----|-----|----|----|
| 15 | 1/2" | 47 | 46 | 8 | 12 |
| 20 | 3/4" | 53 | 51 | 8 | 12 |
| 25 | 1" | 63 | 61 | 10 | 12 |
| 33 | 1"1/4 | 74 | 73 | 10 | 10 |
| 37 | 1"1/2 | 87 | 85 | 10 | 10 |
| 47 | 2" | 97 | 94 | 11 | 10 |
| 55 | 2"1/2 | 118 | 107 | 16 | 8 |
| 70 | 3" | 135 | 130 | 16 | 8 |
| 90 | 4" | 164 | 159 | 20 | 8 |

| | | | |
|--------------------------|---------------|----------------------------------|--------------------|
| N° Disegno / Drawing Nr. | Misura / Size | BUGATTI VALVOSANITARIA | UFFICIO TECNICO |
| 0180 | 1/2"-4" | | |