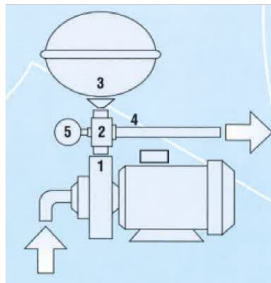
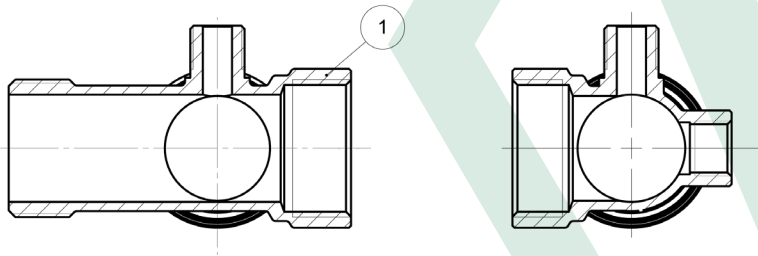
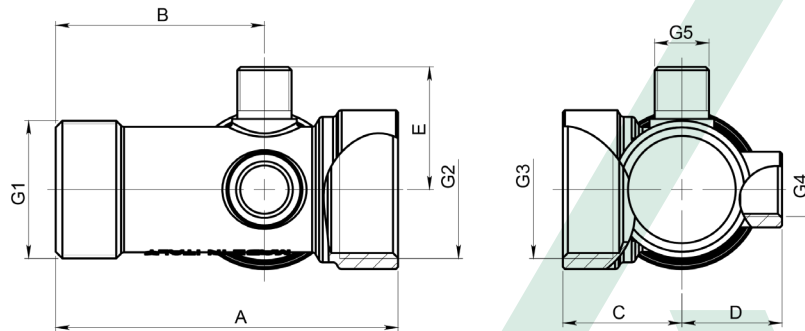
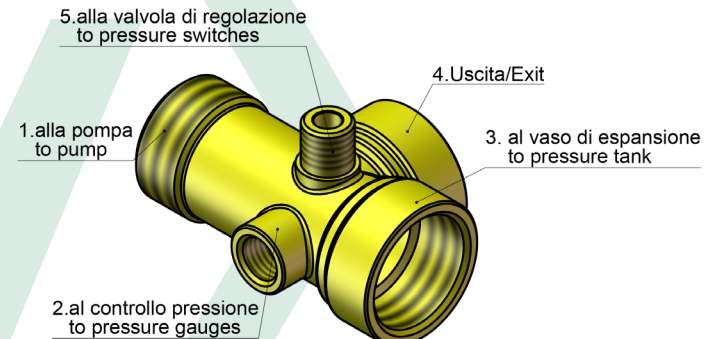


# Scheda Tecnica *Technical Sheet*



<b>ART.0157</b>	
<i>5 ways connector for pumps 82 mm</i>	
<b>SPECIFICATION</b>	
Series	0157
Thread ends	Thread: ISO 228/1
Orifice	-
Actuator	-
Operator	-
<b>APPLICATION</b>	
Assembly in rigid pipe system	
Nominal pressure (PN) in Kg/cmq:25	
KV: flowrate coefficient m <sup>3</sup> /h	
Direction of flow:-	
Temperature range: 0 °C / +90°C	
Use:Water	



Note: Normate secondo: UNI EN 12165 e DIN 50930.6

N°	Descrizione	Description	Materials	Q.ty
1	Corpo	Body	CW617N	1

G1	G2	G3	G4	G5	A	B	C	D	E	PN
1"	1"	1"	1/4"	1/4"	82	50	28	24	29.5	16

N° Disegno / Drawing Nr.

0157

Misura / Size

1"

**BUGATTI<sup>®</sup>**  
 VALVOSANITARIA

UFFICIO  
 TECNICO