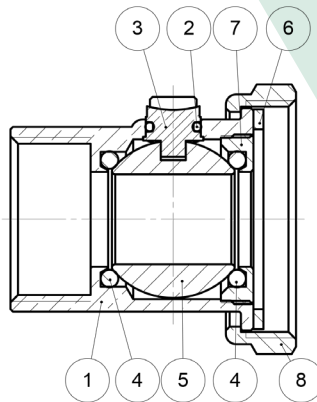
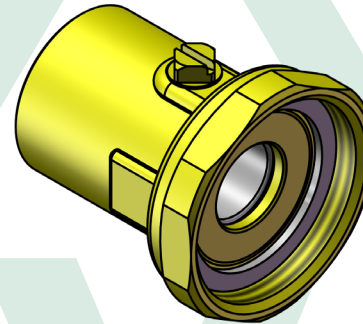
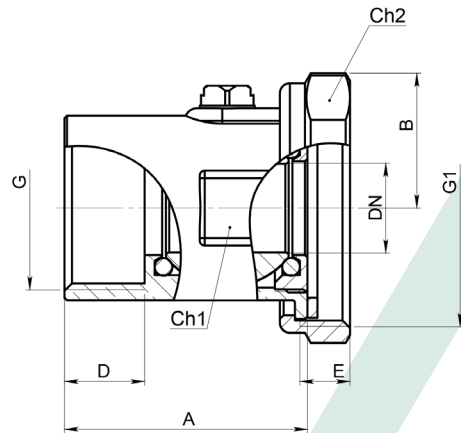


Scheda Tecnica *Technical Sheet*



ART.1200	
<i>Pump isolating ball valve- female, Mis. 1"x1"1/2</i>	
SPECIFICATION	
Series	1200
Thread ends	Pump-Female:ISO 228/1
Orifice	Ø25 mm
Actuator	90° Rotation
Operator	Taglio a cacciavite
APPLICATION	
Assembly in rigid pipe system	
Nominal pressure (PN) in bar:16	
KV: flowrate coefficient m ³ /h	
Direction of flow:as desired	
Temperature range: -20 °C / +120°C	
Use:Water	

N°	Descrizione	Description	Materials	Treatment	Q.ty
1	Corpo	Body	CW617N		1
2	O-Ring	O-Ring	NBR70sh		1
3	Perno	Stem	CW614N		1
4	O-Ring	O-Ring	EPDM		2
5	Sfera	Ball	CW617N	Ni+Cr	1
6	Guarnizione	Seal	Fasit 202		1
7	Ghiera	Brass ring	CW614N		1
8	Dado	Nut	CW617N		1

DN	G	G1	A	B	D	E	Ch1	Ch2	PN
18	1"	1"1/2	48.5	27	16	11	38	51	16

N° Disegno / Drawing Nr.

1200

Misura / Size

1"x1"1/2

BUGATTI[®]
 VALVOSANITARIA

 UFFICIO
 TECNICO