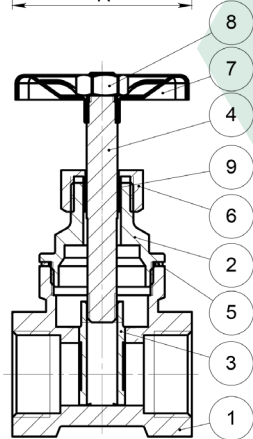
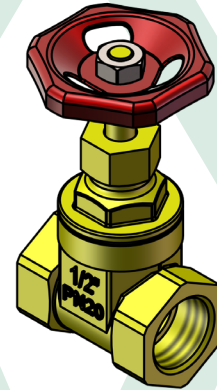
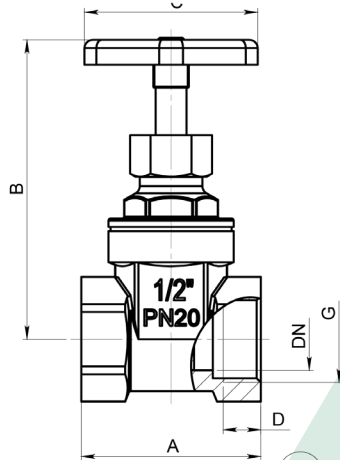


Scheda Tecnica *Technical Sheet*



DN	G	A	B	C	D	PN
11	1/4"	33	67	45	8	20
13	3/8"	33	67	45	8	20
15	1/2"	43	68	45	10	20
19	3/4"	47	78	50	11	20
24	1"	53	93	55	13	20
32	1 1/4"	57	108	60	14	20
37	1 1/2"	61	125	70	14	20
47	2"	67	143	80	16	20
60	2 1/2"	74	175	100	17	20
72	3"	86	205	100	19	20
93	4"	98	235	120	22	20

ART.0105	
<i>Hotpressed brass gate valve, heavy type, Mis. from 1/4" to 4"</i>	
SPECIFICATION	
Series	0105
Thread ends	Female-Female: ISO 228/1
Orifice	from Ø11 to 93 mm
Actuator	Screw rotation
Operator	Steel handle
APPLICATION	
Assembly in rigid pipe system	
Nominal pressure (PN) in bar:20	
KV: flowrate coefficient m ³ /h	
Direction of flow: as desired	
Temperature range: -0 °C / +80°C	
Use: Water	

N°	Descrizione	Description	Materials	Q.ty
1	Corpo	Body	CW617N	1
2	Manicotto	End Connection	CW617N	1
3	Otturatore	Stopper	CW617N	1
4	Perno	Stem	CW617N	1
5	Guarnizione	Seal	Fasit 202	1
6	Premistoppa	Gland Nut	CW614N	1
7	Volantino	Handle	STEEL	1
8	Dado	Nut	STEEL	1
9	Guarnizione	Seal	EPDM	1

N° Disegno / Drawing Nr.	Misura / Size	BUGATTI[®] VALVOSANITARIA	UFFICIO TECNICO
0105	1/4"-4"		