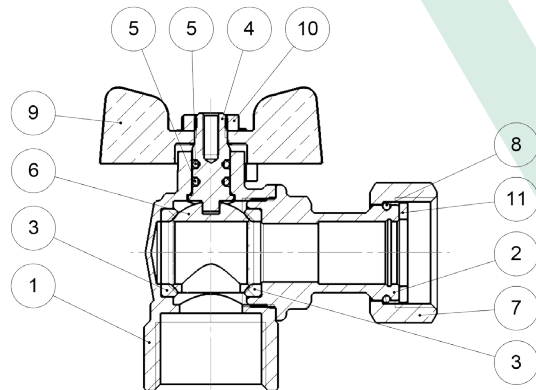
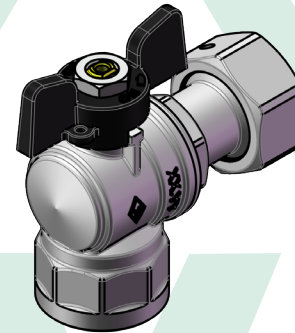
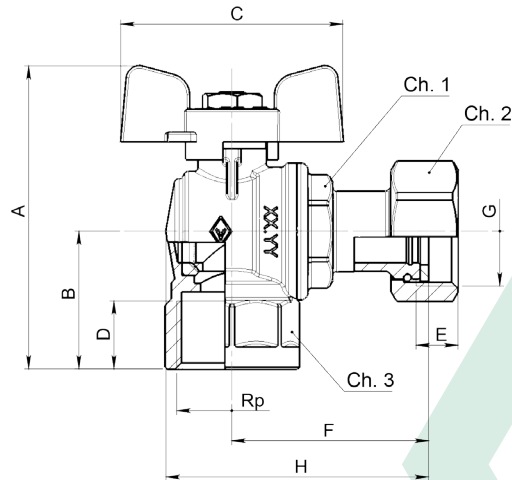


Scheda Tecnica *Technical Sheet*



ART.0558	
<i>Angle brass ball valve, F-Swivel nut, with aluminium T-handle, Mis. from 1/2"x3/4" to 3/4"x3/4"</i>	
SPECIFICATION	
Series	0558
Thread ends	Female-Swivel nut: UNI EN 10226-ISO 228/1
Orifice	15 mm
Actuator	90° rotation with mechanical stop
Operator	Aluminium T-handle
APPLICATION	
Assembly in rigid pipe system	
Nominal pressure (PN) in bar:40	
KV: flowrate coefficient m ³ /h	
Direction of flow:as desired	
Temperature range: -20 °C / +120°C	
Use: Water	

N°	Descrizione	Description	Materials	Treatment	Q.ty
1	Corpo	Body	CW617N	Nickel-Plated	1
2	Manicotto	End Connection	CW617N	Nichel-Plated	1
3	Guarnizione	Ball seal	PTFE		2
4	Perno	Stem	CW614N		1
5	O-Ring	O-Ring	NBR70sh		2
6	Sfera	Ball	CW617N	Ni+Cr	1
7	Dado girevole	Swivel Nut	CW617N	Nickel-Plated	1
8	Anello Elastico	Elastic ring	AISI 304		1
9	Farfalla	T-Handle	ALUMINIUM	Painted	1
10	Dado	Nut	STEEL	Zinc Plated	1
11	Guarnizione	Seal	NBR80sh		1

DN	Rp	G	A	B	C	D	E	F	H	CH1	CH2	CH3	PN
15	1/2"	3/4"	73	33	53	15	10	47	62.5	24	30	25	40
20	3/4"	3/4"	73	33	53	16.3	10	47	63	24	30	30	40

N° Disegno / Drawing Nr.	Misura / Size		
0558	1/2"x3/4"-3/4"x3/4"		