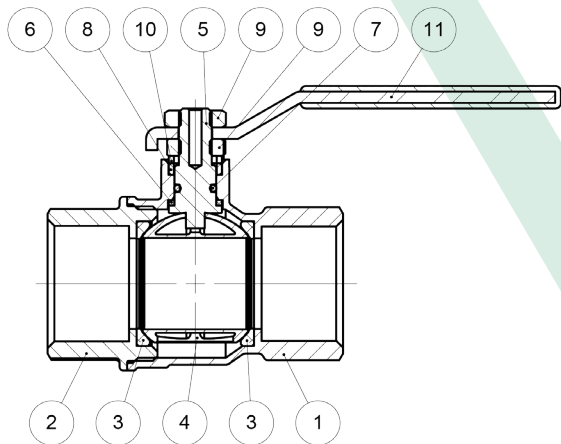
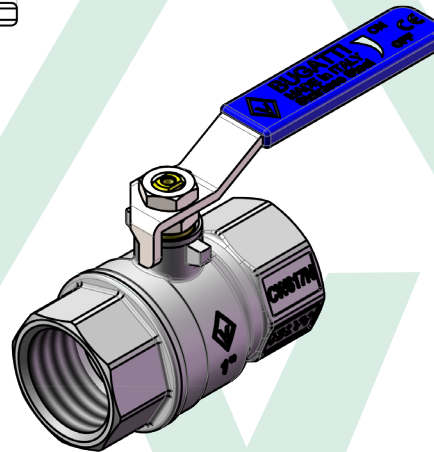
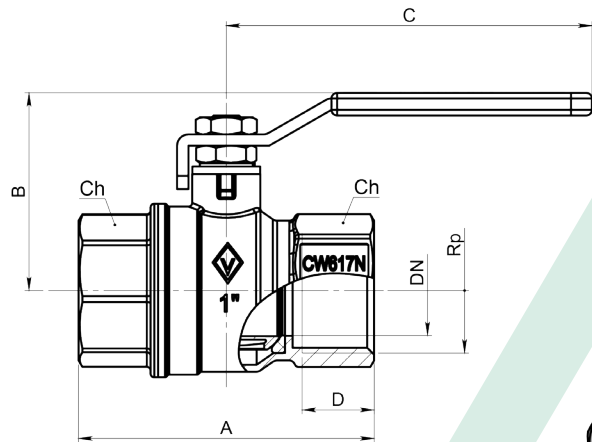


Scheda Tecnica *Technical Sheet*



| DN | Rp | A | B | C | D | Ch | KV | PN |
|----|-------|-----|------|------|------|----|------|----|
| 15 | 1/2" | 59 | 40.5 | 85 | 15 | 25 | 16.3 | 64 |
| 20 | 3/4" | 67 | 49 | 96.5 | 16.3 | 31 | 29.5 | 40 |
| 25 | 1" | 79 | 53 | 96.5 | 19.1 | 38 | 43 | 40 |
| 32 | 1"1/4 | 95 | 60 | 120 | 21.4 | 47 | 89 | 30 |
| 40 | 1"1/2 | 106 | 66.5 | 120 | 21.4 | 54 | 230 | 30 |
| 50 | 2" | 122 | 81 | 162 | 25.7 | 66 | 265 | 25 |

ART.0245 INOX
*Forged brass ball valve, full port, F-F, with
 Stainless Steel nut and handle, Size from 1/2" to 2"*

SPECIFICATION

| | |
|-------------|-----------------------------------|
| Series | 0245 INOX |
| Thread ends | Female-Female: UNI EN 10226 |
| Orifice | from 15 to 50 mm |
| Actuator | 90° rotation with mechanical stop |
| Operator | Stainless Steel handle |

APPLICATION

Assembly in rigid pipe system
 Nominal pressure (PN) in bar: 25-64
 KV: flowrate coefficient m³/h
 Direction of flow: as desired
 Temperature range: -20 °C / +120 °C
 Use: Water

| N° | Descrizione | Description | Materials | Treatment | Q.ty |
|----|-----------------------|----------------|-----------|---------------|------|
| 1 | Corpo | Body | CW617N | Nickel-Plated | 1 |
| 2 | Manicotto | End connection | CW617N | Nickel-Plated | 1 |
| 3 | Guarnizione Sfera | Ball Seal | PTFE | | 2 |
| 4 | Sfera | Ball | CW617N | Ni+Cr | 1 |
| 5 | Perno | Stem | CW614N | | 1 |
| 6 | Guarnizione inferiore | Lower seal | PTFE | | 1 |
| 7 | O-Ring | O-Ring | NBR70sh | | 1 |
| 8 | Guarnizione superiore | Upper seal | PTFE | | 1 |
| 9 | Dado | Nut | INOX A2 | | 2 |
| 10 | Rondella | Brass ring | CW614N | | 1 |
| 11 | Leva | Handle | AISI 430 | Printed | 1 |

N° Disegno / Drawing Nr
0245INOX

Misura / Size
1/2"-2"

BUGATTI
 VALVOSANITARIA

UFFICIO
 TECNICO