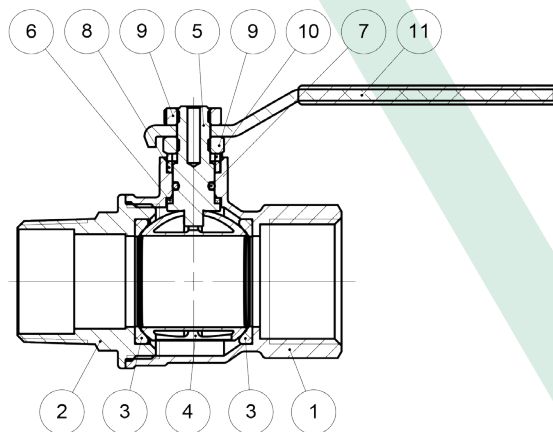
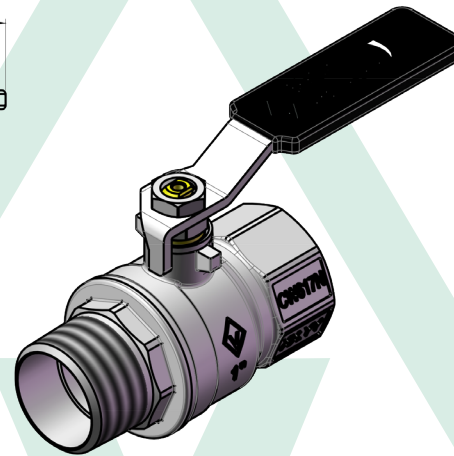
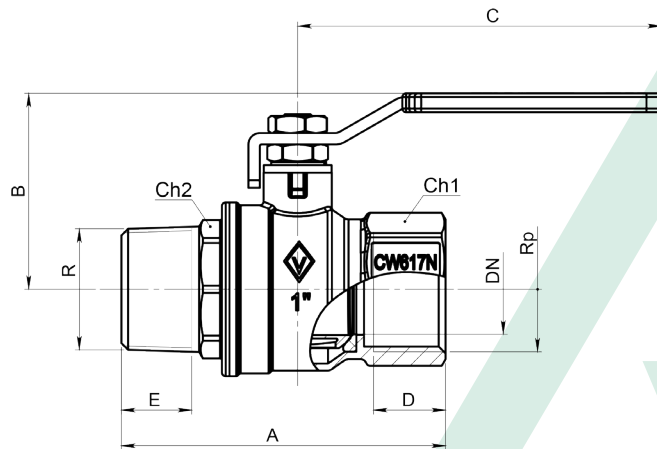



Scheda Tecnica *Technical Sheet*



DN	R-Rp	A	B	C	D	E	Ch1	Ch2	KV	PN
15	1/2"	67.5	40.5	85	15	13.5	25	22	16.3	64
20	3/4"	74.5	44	96.5	16.3	15	31	28	29.5	40
25	1"	86	53	96.5	19.1	18.5	38	35	43	40
32	1 1/4"	102.5	60	120	21.4	19.1	47	43	89	30
40	1 1/2"	111.5	66.5	120	21.4	19.1	54	49	230	30
50	2"	131.5	81	162	25.7	23.4	66	61	265	25

ART.0226	
<i>Forged brass ball valve, full port, M-F, with steel handle, Size from 1/2" to 2"</i>	
SPECIFICATION	
Series	0226
Thread ends	Male-Female: UNI EN 10226
Orifice	from 15 to 50 mm
Actuator	90° rotation with mechanical stop
Operator	Steel handle
APPLICATION	
Assembly in rigid pipe system	
Nominal pressure (PN) in bar:25-64	
KV: flowrate coefficient m ³ /h	
Direction of flow: as desired	
Temperature range: -20 °C / +120°C	
Use: Water	

N°	Descrizione	Description	Materials	Treatment	Q.ty
1	Corpo	Body	CW617N	Nickel-Plated	1
2	Manicotto	End connection	CW617N	Nickel-Plated	1
3	Guarnizione Sfera	Ball Seal	PTFE		2
4	Sfera	Ball	CW617N	Ni+Cr	1
5	Perno	Stem	CW614N		1
6	Guarnizione inferiore	Lower seal	PTFE		1
7	O-Ring	O-Ring	NBR		1
8	Guarnizione superiore	Upper seal	PTFE		1
9	Dado	Nut	STEEL	Zinc-Plated	2
10	Rondella	Brass ring	CW614N		1
11	Leva	Handle	STEEL	Printed	1

N° Disegno / Drawing Nr.	Misura / Size		UFFICIO TECNICO
0226	1/2"-2"		