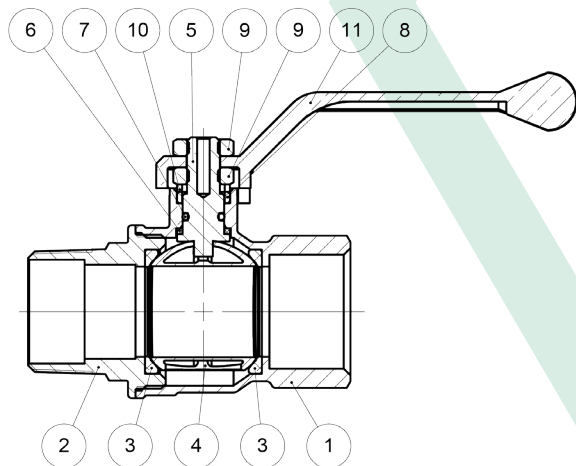
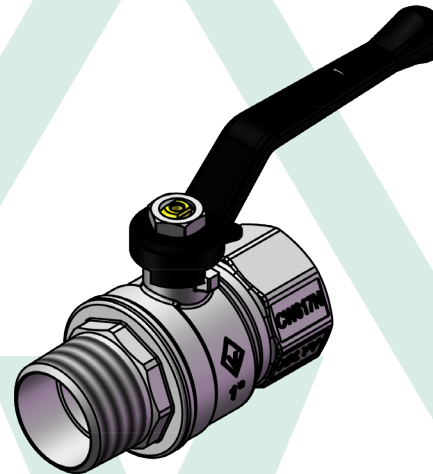
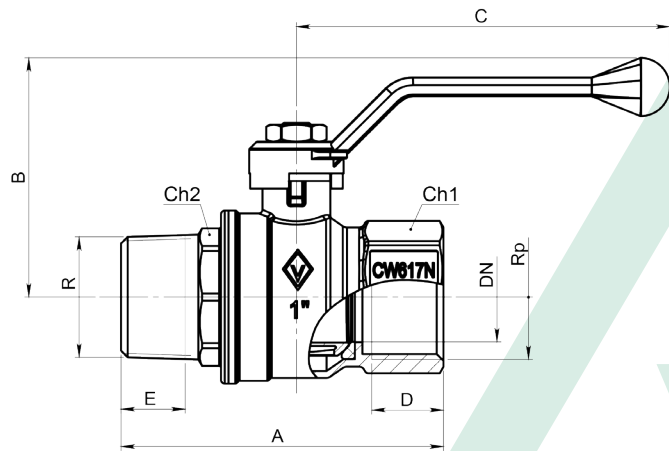


Scheda Tecnica *Technical Sheet*



| | |
|---|-----------------------------------|
| ART.0225 | |
| <i>Forged brass ball valve, full port, M-F, with aluminium handle, Size from 1/2" to 2"</i> | |
| SPECIFICATION | |
| Series | 0225 |
| Thread ends | Male-Female: UNI EN 10226 |
| Orifice | from 15 to 50 mm |
| Actuator | 90° rotation with mechanical stop |
| Operator | Aluminium handle |
| APPLICATION | |
| Assembly in rigid pipe system | |
| Nominal pressure (PN) in bar: 25-64 | |
| KV: flowrate coefficient m ³ /h | |
| Direction of flow: as desired | |
| Temperature range: -20 °C / +120°C | |
| Use: Water | |

| N° | Descrizione | Description | Materials | Treatment | Q.ty |
|----|-----------------------|----------------|-----------|---------------|------|
| 1 | Corpo | Body | CW617N | Nickel-Plated | 1 |
| 2 | Manicotto | End connection | CW617N | Nickel-Plated | 1 |
| 3 | Guarnizione Sfera | Ball Seal | PTFE | | 2 |
| 4 | Sfera | Ball | CW617N | Ni+Cr | 1 |
| 5 | Perno | Stem | CW614N | | 1 |
| 6 | Guarnizione inferiore | Lower seal | PTFE | | 1 |
| 7 | O-Ring | O-Ring | NBR | | 1 |
| 8 | Guarnizione superiore | Upper seal | PTFE | | 1 |
| 9 | Dado | Nut | STEEL | Zinc-Plated | 2 |
| 10 | Rondella | Brass ring | CW614N | | 1 |
| 11 | Leva | Handle | ALUMINIUM | Printed | 1 |

| DN | R-Rp | A | B | C | D | E | Ch1 | Ch2 | KV | PN |
|----|--------|-------|----|-------|------|------|-----|-----|------|----|
| 15 | 1/2" | 67.5 | 49 | 87.5 | 15 | 13.5 | 25 | 22 | 16.3 | 64 |
| 20 | 3/4" | 74.5 | 52 | 87.5 | 16.3 | 15 | 31 | 28 | 29.5 | 40 |
| 25 | 1" | 86 | 63 | 99 | 19.1 | 18.5 | 38 | 35 | 43 | 40 |
| 32 | 1 1/4" | 102.5 | 68 | 131.5 | 21.4 | 19.1 | 47 | 43 | 89 | 30 |
| 40 | 1 1/2" | 111.5 | 75 | 131.5 | 21.4 | 19.1 | 54 | 49 | 230 | 30 |
| 50 | 2" | 131.5 | 91 | 154 | 25.7 | 23.4 | 66 | 61 | 265 | 25 |

N° Disegno / Drawing Nr.
0225

Misura / Size
1/2"-2"

BUGATTI
VALVOSANITARIA

UFFICIO
TECNICO