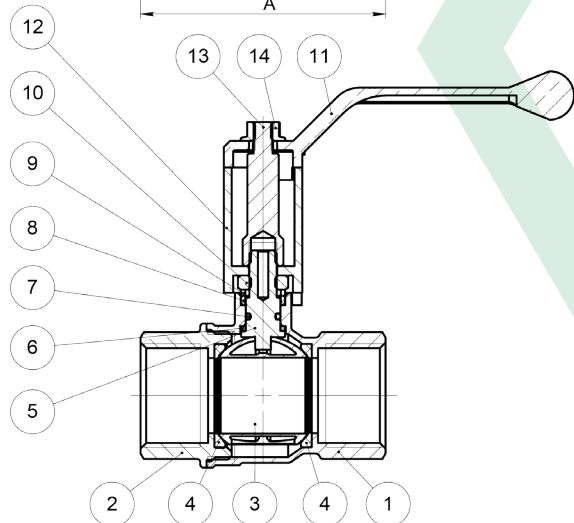
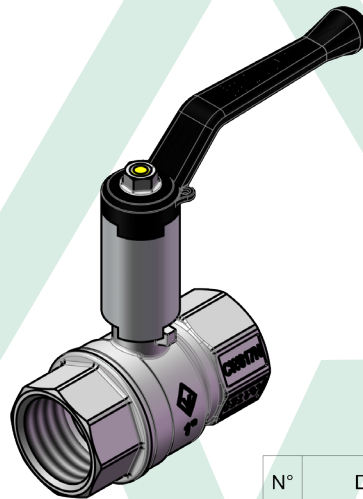
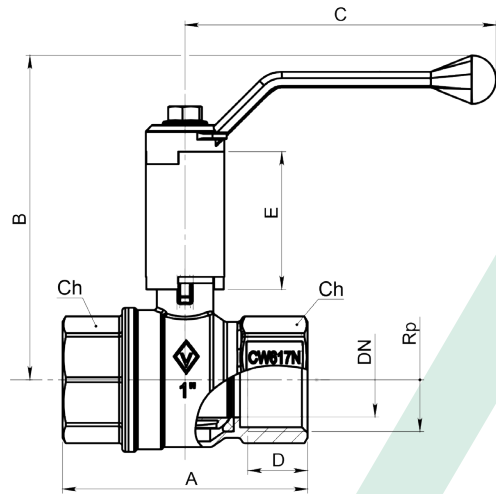


# Scheda Tecnica *Technical Sheet*



DN	Rp	A	B	C	D	E	Ch	KV	PN
15	1/2"	59	90	87.5	15	44	25	16.3	64
20	3/4"	67	96	87.5	16.3	44	31	29.5	40
25	1"	79	104	99	19.1	44	38	43	40
32	1 1/4"	95	109	131.5	21.4	46	47	89	30
40	1 1/2"	106	114	131.5	21.4	47	54	230	30
50	2"	122	124	154	25.7	47	66	265	25

ART.0220XL	
<i>Forged brass ball valve, full port, F-F, with aluminium handle and extension, Mis. from 1/2" to 2"</i>	
<b>SPECIFICATION</b>	
Series	0220XL
Thread ends	Female-Female: UNI EN 10226
Orifice	from 15 to 50 mm
Actuator	90° rotation with mechanical stop
Operator	Aluminium handle
<b>APPLICATION</b>	
Assembly in rigid pipe system	
Nominal pressure (PN) in bar:25-64	
KV: flowrate coefficient m <sup>3</sup> /h	
Direction of flow: as desired	
Temperature range: -20 °C / +120°C	
Use: Water	

N°	Descrizione	Description	Materials	Treatment	Q.ty
1	Corpo	Body	CW617N	Nickel-Plated	1
2	Manicotto	End connection	CW617N	Nickel-Plated	1
3	Sfera	Ball	CW617N	Ni+Cr	1
4	Guarnizione Sfera	Ball Seal	PTFE		2
5	Perno	Stem	CW614N		1
6	Guarnizione inferiore	Lower seal	PTFE		1
7	O-Ring	O-Ring	NBR70sh		1
8	Guarnizione superiore	Upper seal	PTFE		1
9	Rondella	Brass ring	CW614N		1
10	Dado	Nut	STEEL	Zinc-Plated	1
11	Leva	Handle	ALUMINIUM	Printed	1
12	Prolunga	Extension	ALUMINIUM		1
13	Prolunga perno	Stem extension	CW614N		1
14	Dado Flangiato	Flanged Nut	STEEL		1

N° Disegno / Drawing Nr.	Misura / Size	<b>BUGATTI<sup>®</sup></b> VALVOSANITARIA	UFFICIO TECNICO
0220XL	1/2"-2"		